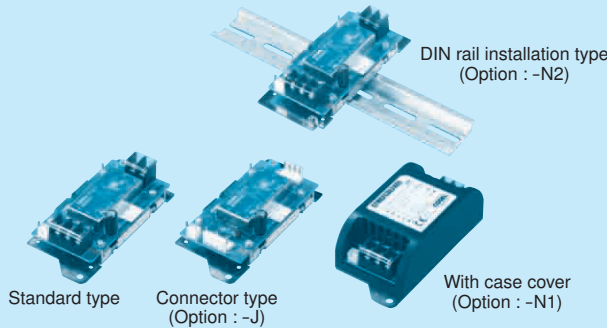


STMGFS30

STMGF S 30 24 05 -□

① ② ③ ④ ⑤ ⑥



- ① Series name
 - ② Single output
 - ③ Output wattage
 - ④ Input voltage
 - ⑤ Output voltage
 - ⑥ Optional
 - G : Capacitor between Input and Output is removed.
 - R : with Remote ON/OFF (Positive logic control)
 - J : Input/Output Connector
 - N1 : With case cover
 - N2 : With DIN rail installation type
 - N3 : With cover(plastic) and DIN rail installation type
 - V : Output voltage setting potentiometer externally
- *When the option is set specifications may vary.

*Please remove short piece on CN4 to enable remote ON/OFF function.

| MODEL | STMGFS30243R3 | STMGFS302405 | STMGFS302412 | STMGFS302415 |
|-----------------------|---------------|--------------|--------------|--------------|
| MAX OUTPUT WATTAGE[W] | 24.75 | 30 | 30 | 30 |
| DC OUTPUT | VOLTAGE[V] *1 | 3.3 | 5 | 12 |
| | CURRENT[A] | 7.5 | 6 | 2.5 |

SPECIFICATIONS

| | MODEL | STMGFS30243R3 | STMGFS302405 | STMGFS302412 | STMGFS302415 | |
|---------------------------------|---|--|---------------|---------------|--------------|--------|
| INPUT | VOLTAGE[V] | DC9 - 36 | | | | |
| | CURRENT[A] *2 | 1.16typ | 1.39typ | 1.40typ | 1.40typ | |
| | EFFICIENCY[%] *2 | 89typ | 90typ | 89typ | 89typ | |
| OUTPUT | VOLTAGE[V] | 3.3 | 5 | 12 | 15 | |
| | CURRENT[A] | 7.5 | 6 | 2.5 | 2 | |
| | LINE REGULATION[mV] | 13.2max | 20max | 48max | 60max | |
| | LOAD REGULATION[mV] | 60max | 60max | 100max | 120max | |
| | RIPPLE[mVp-p] | 0 to +60°C | 75max | 75max | 100max | 100max |
| | | *3 -20 to +60°C | 100max | 100max | 120max | 120max |
| | RIPPLE NOISE[mVp-p] | 0 to +60°C | 120max | 120max | 150max | 150max |
| | | *3 -20 to +60°C | 200max | 200max | 200max | 200max |
| | TEMPERATURE REGULATION[mV] | 0 to +60°C | 50max | 50max | 150max | 180max |
| | | -20 to +60°C | 80max | 80max | 240max | 290max |
| | DRIFT[mV] *4 | 20max | 20max | 48max | 60max | |
| START-UP TIME[ms] | 30max (Minimum input, I _o =100%) | | | | | |
| OUTPUT VOLTAGE ADJUSTMENT RANGE | 2.97 - 3.63 | 4.50 - 5.50 | 10.80 - 13.20 | 13.50 - 16.50 | | |
| OUTPUT VOLTAGE SETTING[V]*5 | 3.29 - 3.41 | 4.97 - 5.14 | 11.85 - 12.25 | 14.83 - 15.33 | | |
| PROTECTION CIRCUIT AND OTHERS | OVERCURRENT PROTECTION | Works over 105% of rating and recovers automatically | | | | |
| | OVERVOLTAGE PROTECTION[V] | Works over 120 to 160% of rating | | | | |
| | REMOTE ON/OFF | Provided (Negative logic L:ON, H:OFF) | | | | |

| MODEL | STMGFS30483R3 | STMGFS304805 | STMGFS304812 | STMGFS304815 |
|-----------------------|---------------|--------------|--------------|--------------|
| MAX OUTPUT WATTAGE[W] | 24.75 | 30 | 30 | 30 |
| DC OUTPUT | VOLTAGE[V] *1 | 3.3 | 5 | 12 |
| | CURRENT[A] | 7.5 | 6 | 2.5 |

SPECIFICATIONS

| | MODEL | STMGFS30483R3 | STMGFS304805 | STMGFS304812 | STMGFS304815 | |
|---------------------------------|---|--|---------------|---------------|--------------|--------|
| INPUT | VOLTAGE[V] | DC18 - 76 | | | | |
| | CURRENT[A] *2 | 0.58typ | 0.70typ | 0.70typ | 0.70typ | |
| | EFFICIENCY[%] *2 | 89typ | 90typ | 89typ | 89typ | |
| OUTPUT | VOLTAGE[V] | 3.3 | 5 | 12 | 15 | |
| | CURRENT[A] | 7.5 | 6 | 2.5 | 2 | |
| | LINE REGULATION[mV] | 13.2max | 20max | 48max | 60max | |
| | LOAD REGULATION[mV] | 60max | 60max | 100max | 120max | |
| | RIPPLE[mVp-p] | 0 to +60°C | 75max | 75max | 100max | 100max |
| | | *3 -20 to +60°C | 100max | 100max | 120max | 120max |
| | RIPPLE NOISE[mVp-p] | 0 to +60°C | 120max | 120max | 150max | 150max |
| | | *3 -20 to +60°C | 200max | 200max | 200max | 200max |
| | TEMPERATURE REGULATION[mV] | 0 to +60°C | 50max | 50max | 150max | 180max |
| | | -20 to +60°C | 80max | 80max | 240max | 290max |
| | DRIFT[mV] *4 | 20max | 20max | 48max | 60max | |
| START-UP TIME[ms] | 30max (Minimum input, I _o =100%) | | | | | |
| OUTPUT VOLTAGE ADJUSTMENT RANGE | 2.97 - 3.63 | 4.50 - 5.50 | 10.80 - 13.20 | 13.50 - 16.50 | | |
| OUTPUT VOLTAGE SETTING[V]*5 | 3.29 - 3.41 | 4.97 - 5.14 | 11.85 - 12.25 | 14.83 - 15.33 | | |
| PROTECTION CIRCUIT AND OTHERS | OVERCURRENT PROTECTION | Works over 105% of rating and recovers automatically | | | | |
| | OVERVOLTAGE PROTECTION[V] | Works over 120 to 160% of rating | | | | |
| | REMOTE ON/OFF | Provided (Negative logic L:ON, H:OFF) | | | | |

GENERAL SPECIFICATIONS

| | | |
|-------------|--------------------------------------|---|
| ISOLATION | INPUT · RC-OUTPUT | DC1,500V 1minute, Cutoff current = 10mA, DC500V 1,000MΩ min (20±15°C) |
| | INPUT · RC-FG | DC1,000V 1minute, Cutoff current = 10mA, DC500V 1,000MΩ min (20±15°C) |
| | OUTPUT-FG | DC1,000V 1minute, Cutoff current = 10mA, DC500V 1,000MΩ min (20±15°C) |
| ENVIRONMENT | OPERATING TEMP., HUMID. AND ALTITUDE | -20 to +70°C, 20 to 95%RH (Non condensing) (Required Derating), 3,000m (10,000feet) max |
| | STORAGE TEMP., HUMID. AND ALTITUDE | -20 to +75°C, 20 to 95%RH (Non condensing), 9,000m (30,000feet) max |
| | VIBRATION | 10 - 55Hz, 19.6m/s ² (2G), 3minutes period, 60minutes each along X, Y and Z axis |
| | IMPACT | 196.1m/s ² (20G), 11ms, once each along X, Y and Z axis |
| SAFETY | AGENCY APPROVALS | UL60950-1, C-UL, EN60950-1 Complies |
| OTHERS | CASE SIZE/WEIGHT | 52×27×117mm [2.05×1.06×4.61 inches] (W×H×D) / 140g max (When the option is set, refer to the page STMG-7) |
| | COOLING METHOD | Convection/Forced air |

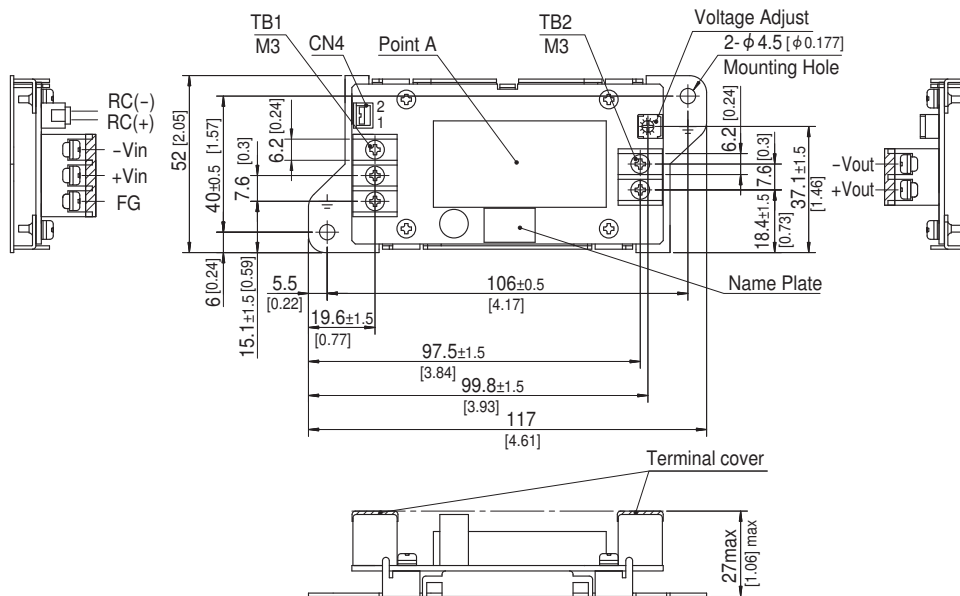
- *1 STMGFW30xx05/STMGFW30xx12/STMGFW30xx15 is available as single output, +10V/+24V/+30V
- *2 Rated input 12V, 24V or 48V DC lo=100%
- *3 Measured by 100MHz oscilloscope or Ripple-Noise meter (Equivalent to KIKUSUI-GIKEN : RM103).
- *4 Drift is the DC output accuracy for eight hours period after a half-hour warm-up at 25°C.
- *5 Rated input voltage (DC24V, DC48V), rated output wattage, ambient temperature at 25°C.
- * Parallel operation with other model is not possible.

External view

Standard type

* External view of option G, R are the same as standard model.
External view of other type options, please refer to the page STMG-7.

STMG



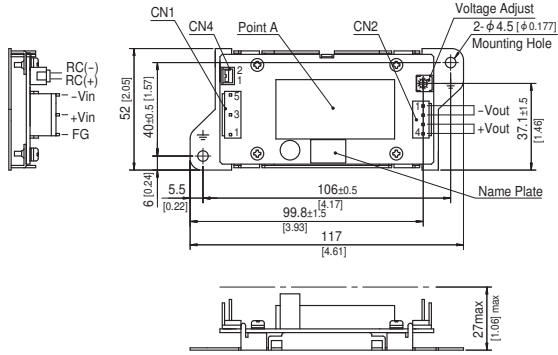
| | I/O Connector | | Mating Connector | Terminal |
|---------------|---------------|--------|------------------|--|
| Remote ON/OFF | CN4 | B2B-XH | XHP-2 | Chain : SXH-001T-P0.6 Loose : BXH-001T-P0.6 |

(Mfr.: J.S.T.)

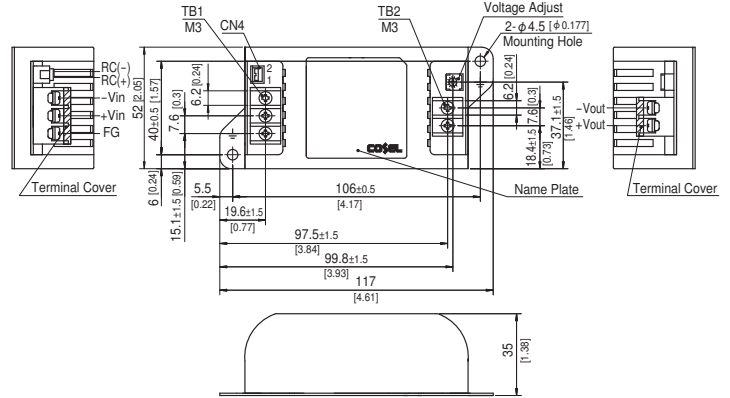
- * Tolerance ±1
- * Dimensions in mm, []=inches
- * Weight : 140g max
- * PCB material / thickness : FR-4 / 1.6mm
- * Mounting plate : Iron (surface finishing : nickel plating) t=1.0 [0.04]
- * Terminal block screw tightening torque M3 : 0.8N · m (8.5kgf · cm) max
- * CN4 has been installed jumper as factory setting (Except option R).
When remote ON/OFF is used , please remove the installed jumper.

External view (Option type)

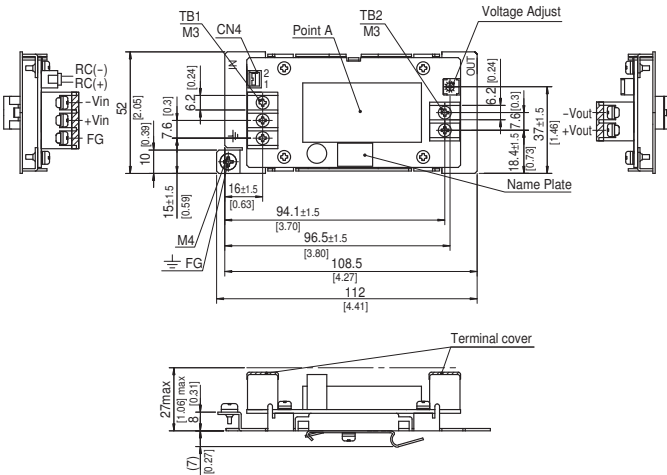
Connector type (-J)



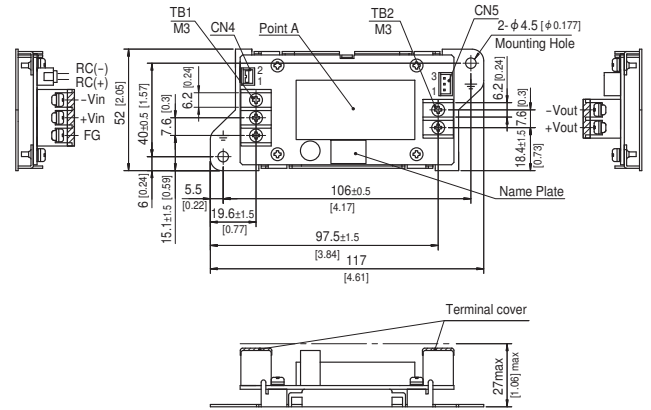
Case cover type (-N1)



DIN rail installation type (-N2)



External voltage variable volume type (-V)



| | I/O Connector | | Mating Connector | Terminal |
|---------------------------------------|---------------|---------|------------------|--|
| Connector Type Input | CN1 | B3P5-VH | VHR-5N | Chain : SVH-21T-P1.1 Loose : BVH-21T-P1.1 |
| Connector Type Output | CN2 | B4P-VH | VHR-4N | Chain : SVH-21T-P1.1 Loose : BVH-21T-P1.1 |
| Remote ON/OFF | CN4 | B2B-XH | XHP-2 | Chain : SXH-001T-P0.6 Loose : BXH-001T-P0.6 |
| External voltage variable volume type | CN5 | B3B-XH | XHP-3 | Chain : SXH-001T-P0.6 Loose : BXH-001T-P0.6 |

(Mfr.:J.S.T.)

- * Tolerance ±1
- * Dimensions in mm, []=inches
- * Weight : Standard & Connector type 140g max
Case cover & DIN rail installation type 160g max
- * PCB material / thickness : FR-4 / 1.6mm
- * Mounting plate : Iron (surface finishing : nickel plating) t=1.0 [0.04]
- * Case : PBT
- * Terminal block screw tightening torque M3 : 0.8N · m (8.5kgf · cm) max
- * CN4 has been installed jumper as factory setting (Except option R).
When remote ON/OFF is used, please remove the installed jumper.
- * Connector Type : Keep drawing current per pin below 5A for CN2.